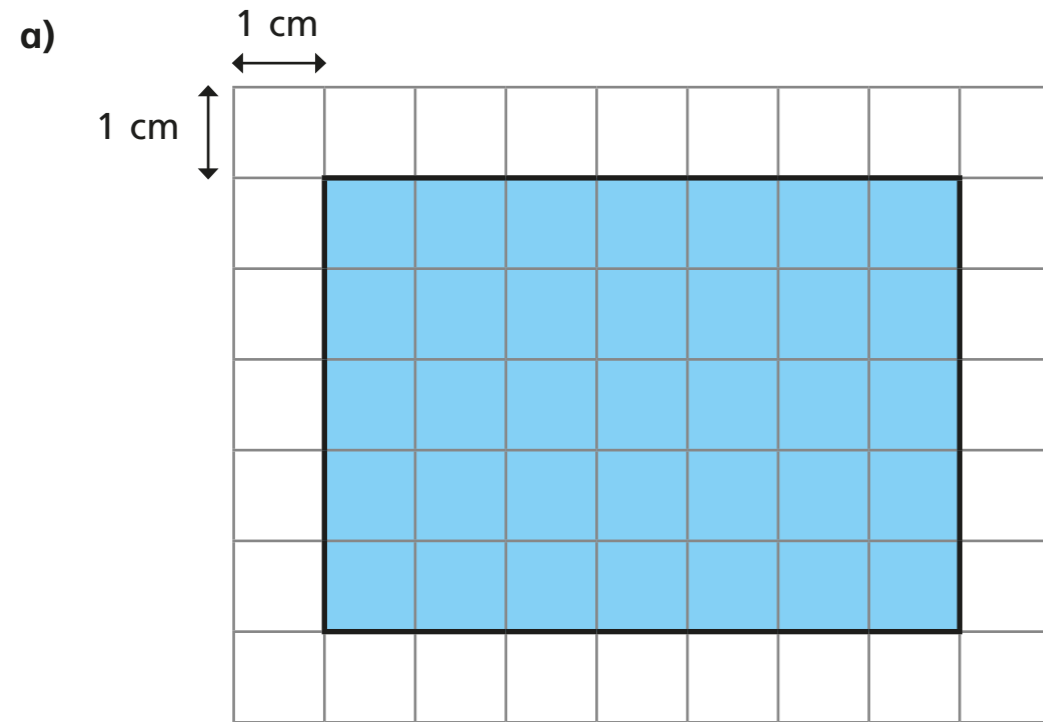
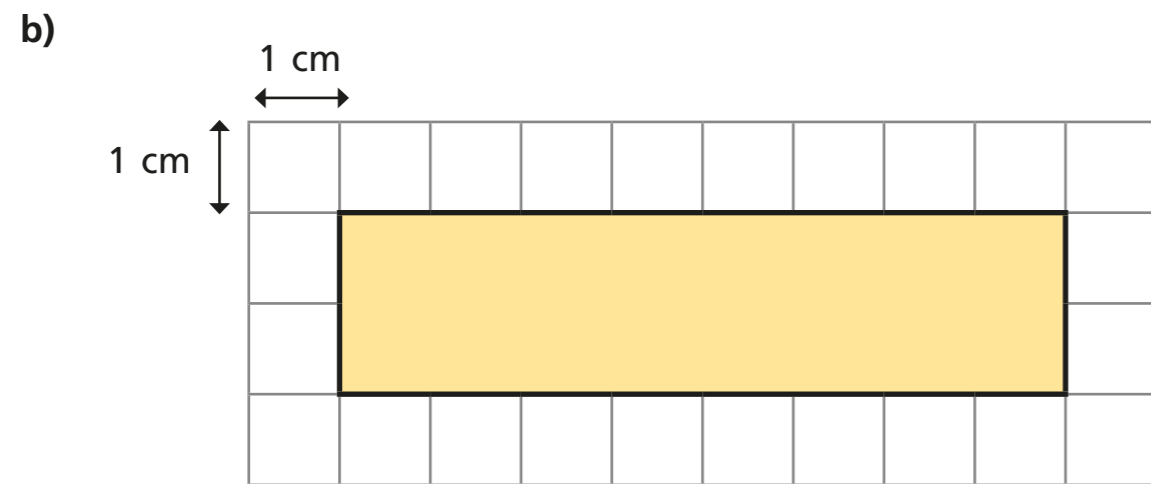


# Perimeter of a rectangle

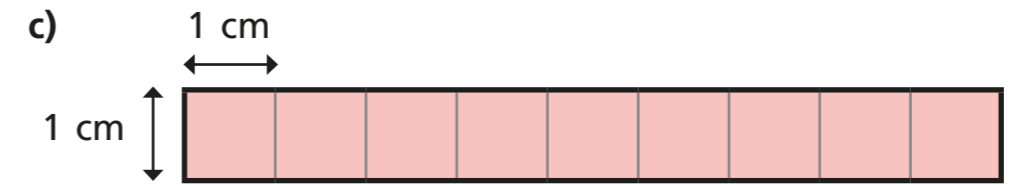
1 Work out the perimeter of each rectangle.



$$5 \text{ cm} + 7 \text{ cm} + 5 \text{ cm} + 7 \text{ cm} = 24 \text{ cm}$$

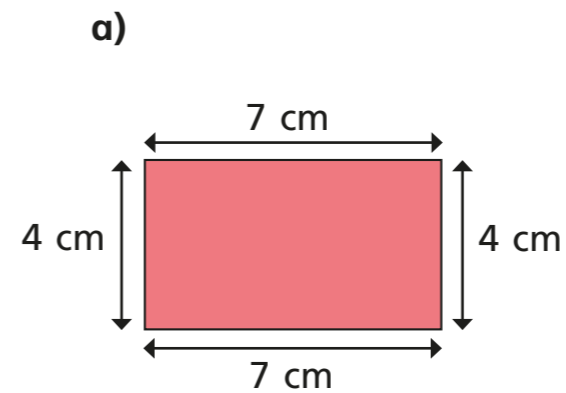


$$2 \text{ cm} + 8 \text{ cm} + 2 \text{ cm} + 8 \text{ cm} = 20 \text{ cm}$$

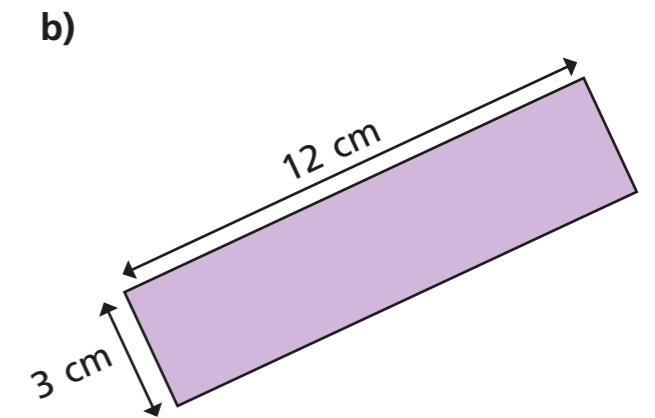


$$1 \text{ cm} + 9 \text{ cm} + 1 \text{ cm} + 9 \text{ cm} = 20 \text{ cm}$$

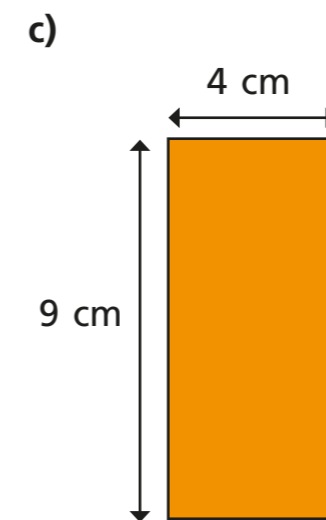
2 Work out the perimeter of the rectangles.



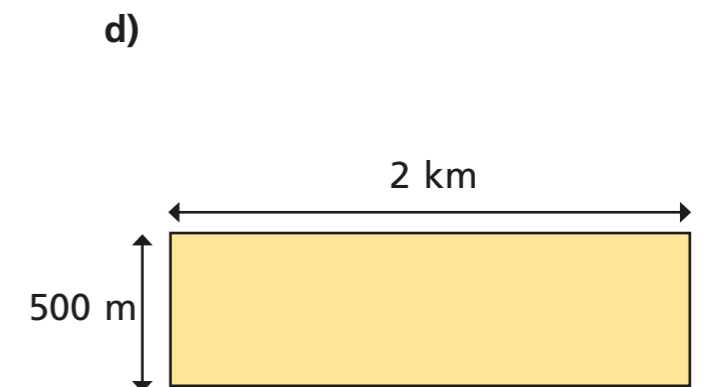
$$22 \text{ cm}$$



$$30 \text{ cm}$$



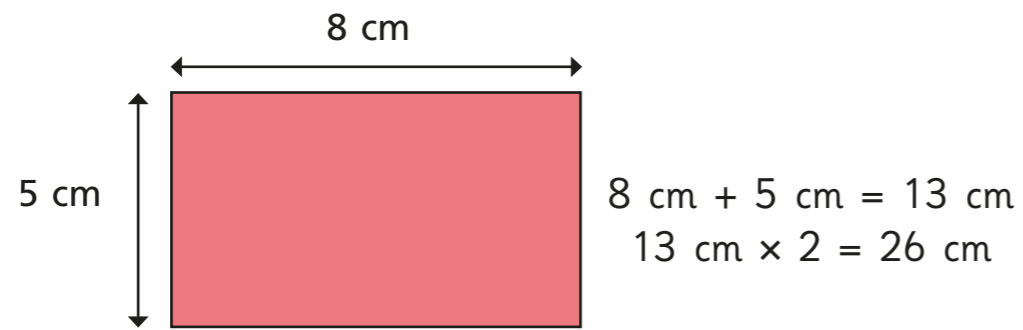
$$26 \text{ cm}$$



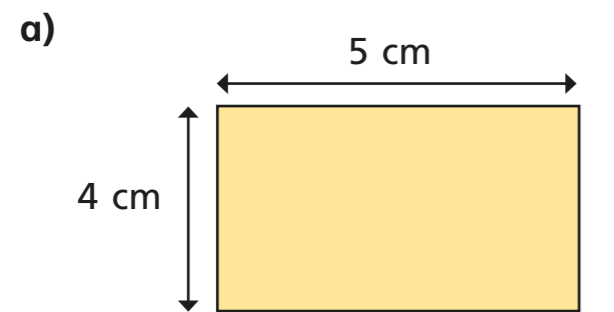
$$5 \text{ km}$$



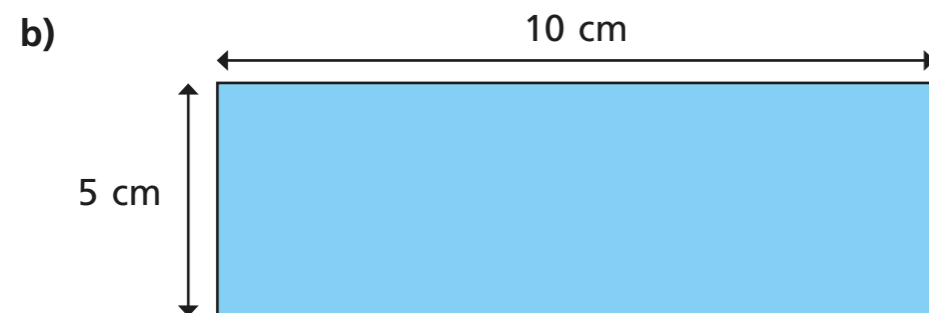
- 3 Tommy is working out the perimeter of some rectangles.



Use Tommy's method to find the perimeter of these rectangles.

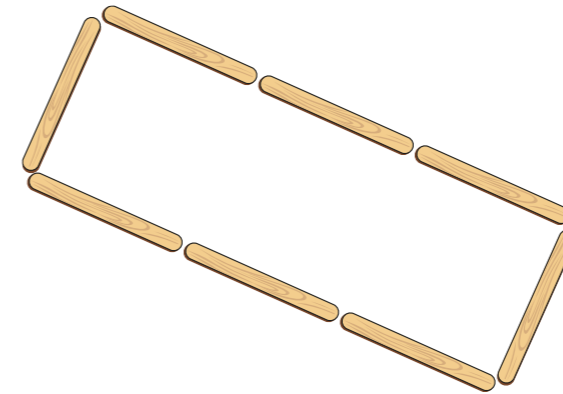


$5 \text{ cm} + 4 \text{ cm} = 9 \text{ cm}$   
 $9 \text{ cm} \times 2 = 18 \text{ cm}$



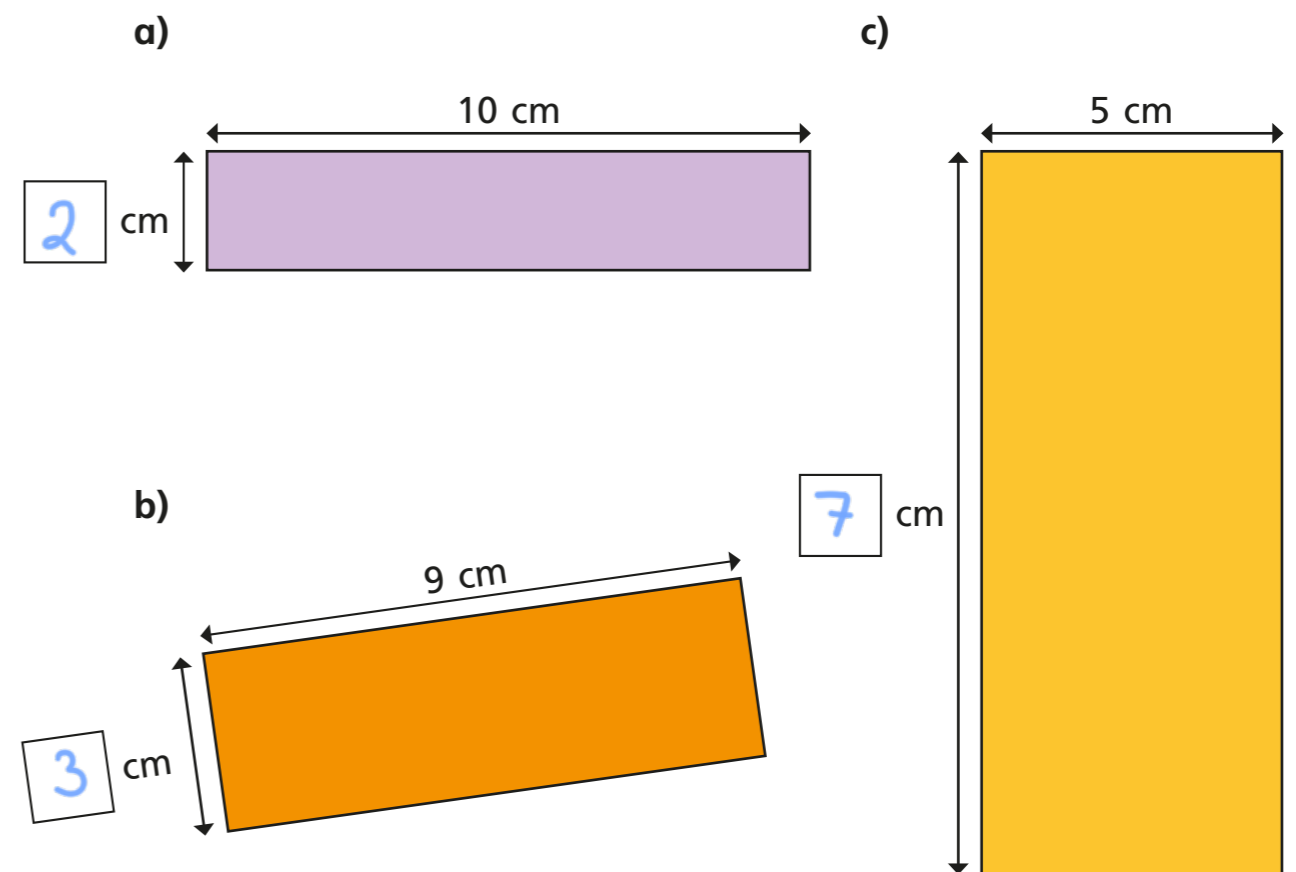
$10 \text{ cm} + 5 \text{ cm} = 15 \text{ cm}$   
 $15 \text{ cm} \times 2 = 30 \text{ cm}$

- 4 Each lolly stick is 8 cm long.  
Find the perimeter of the shape.



64cm

- 5 Each of these rectangles has a perimeter of 24 cm.  
Work out the missing lengths and label the diagrams.



What do you notice?

Find any other rectangles that have the same perimeter.